

ELECTRIC DECK OVEN-ASIAN SK SERIES

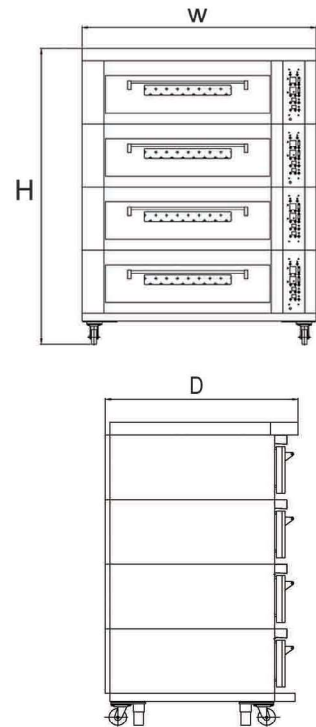
SINMAG
machines



SK2-P623H/SK2-P633H/SK2-P643FH



SK-P634T



Features

- The ovens are composed of detachable decks, easy to install at site.
- Doors with windows open down to access baking chamber.
- Light and timer standard on each deck.
- Easy maintenance for baking chamber.
- Casters.
- Stainless steel frame, bottom-placed proofer and top-placed convection oven are options.
- Optional accessories: steam device; exhausting hood; stone plate.
- Easy to use digital controls for temperature, steam time, and top and bottom heat controls for each individual deck.

Model		SK2-P623H	SK2-P633H	SK-P634T	SK2-P643FH
Number of Decks		3	3	4	3
Number of Trays(per deck)		2	3	3	4
Tray Size(mm)		400X600	400X600	400X600	400X600
Tray Layout					
External Dimension(mm)	Width	1320	1720	1520	1720
	Depth	1090	1090	1270	1270
	Height	1710	1710	1925	1710
Baking Chamber Dimension(mm)	Width	900	1300	1050	1300
	Depth	720	720	900	900
	Height	230	230	230	230
Power per Deck(kw)		5.5	8	7	9
Temperature Range(°c)		0~300			
Outside Panel(front side)		stainless steel plate			
Outside Panel(other sides)		stainless steel plate			
Door-open style		downward&outward			
Power Adjustable		No			